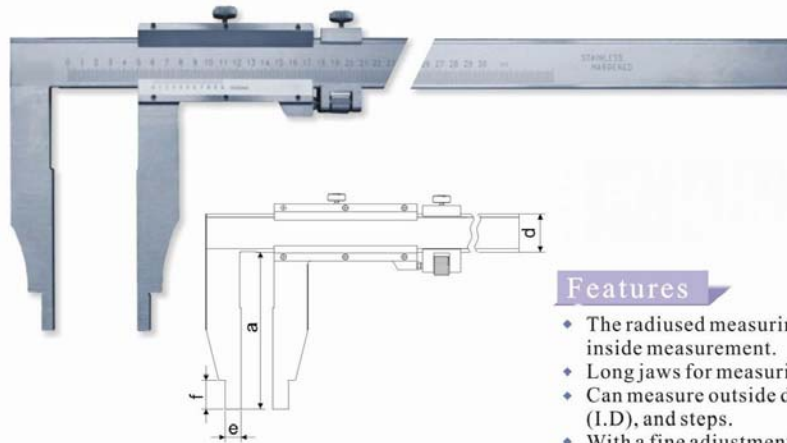


Vernier Calipers without Upper Jaws (Type D)



Features

- ◆ The radiused measuring faces are fit for accurate inside measurement.
- ◆ Long jaws for measuring hard-to-reach portions.
- ◆ Can measure outside diameter (O.D), inside diameter (I.D), and steps.
- ◆ With a fine adjustment.

性能参数 Specifications

测量范围 Measuring Range	货号(开式) Order No.(Open Type)	货号(闭式) Order No.(Close Type)	游标读数 Vernier Reading	极限误差 Limit Error	a	d	e	f
0-500mm	141-705	141-745	0.02mm	±0.04mm	100	24	10	18
0-600mm	141-706	141-746	0.02mm	±0.04mm	100	24	10	18
0-800mm	141-708	141-748	0.02mm	±0.05mm	125	31	10	24
0-1000mm	141-710	141-750	0.02mm	±0.05mm	125	31	10	24
0-1500mm	141-715	141-755	0.02mm	±0.08mm	150	31	10	24

注：特殊定货，爪长不受限制 Note: The jaw length can be extended by special order.

Why you have confidence in Anyi Products?

- * ODM & OEM has Patents for Products
- * Authoritatively Certified Precision by DDK etc ...
- * Accurate Calibration and Test for Quality
- * Reasonable Price, Durable Quality, Easy to Use
- * UPS Shipping, 60-Day Refund / Replacement Guarantee

For further information, please follow the URL to view the product:

<http://www.anyimeasuring.com/products/vernier-calipers-without-upper-jaws-type-d.html>

Or don't hesitate to email us to contact@anyimeasuring.com.

From: Guilin Anyi Instrument Co. Ltd.

Leading China measuring tools manufacturer & supplier.

Address: 1st Floor, Innovation Mansion, Guilin IT Park,

Guilin, Guangxi P.R. China 541004

Tel: +86 0773-5869135 Fax: +86 773-5869193 +86 773-5869093

Our Website: <http://www.anyimeasuring.com/>